

WIRELESS DOT PEEN MARKING SYSTEM

e-mark



+ ULTRA COMPACT

- Handy and balanced
- Ergonomic handle
- Lightweight (3,2 kg - 6.6 lbs)
- Marking window 60 x 25 mm - 2.4 x 1 in



+ HIGH-PERFORMANCE

- **Marking speed and power**
- Marking on all types of material and difficult surface conditions
- PC software and 2D marking integrated as standard
- Precise and accurate guides
- Marking hard parts up to 60 HRC

+ ROBUST AND RELIABLE

- Light and robust cast aluminium body and handle

+ INTUITIVE

- Simplified navigation software
- Color screen

FULL PACKAGE



- + 2 batteries 18v Li-ion + charger
- + Transport suitcase
- + Maintenance kit
- + Accessories and operating instructions



E-MARK CHARACTERISTICS

ALL IN ONE



DOT PEEN MARKING EXAMPLES



TECHNICAL & MECHANICAL FEATURES

	e-mark
Marking window	60 x 25 mm - 2.1 x 1 in
External dimensions	288 x 271 x 135 mm - 11.3 x 10.7 x 5.3 in
Weight	3,2 kg - 6.6 lbs
Stylus	Tungsten carbide
Stability	V-shaped front plate
Positioning aid	Position memory
Operating life	From 1h (intensive use) to one day in normal use
Battery charging time	1h

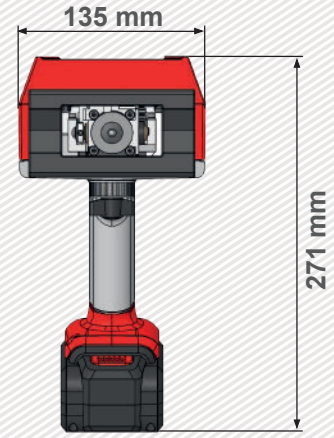
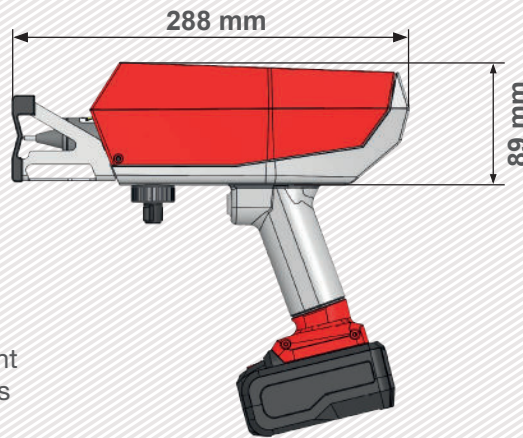
2 DIFFERENT FRONT PLATES:



Flat front plate



Reduced and adjustable front plate for plates marking



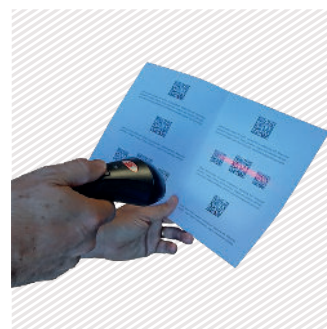
OPTIONS



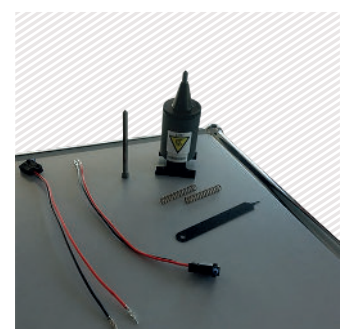
Barcode reader (wireless)

Please consult us if a specific configuration is not published in the table attached.

SIC Marking designs customized and turnkey solutions for all industrial sectors. Our design offices produce machines in compliance with your specifications and your industrial standards.



1D / 2D reader (wireless)



Maintenance kit

E1 CONTROL UNIT

The e1 controller

- USB port (allows you to easily transfer your marking files)
- Fully programmable
- Small size
- Marking diversity (DataMatrix, circular, alphanumeric, logos ...)
- Membrane protected industrial keyboard



+ Ergonomic handle



+ USB Port



+ Color screen



+ Transport suitcase



Technical & electronic features

e1 controller	
LCD screen	HD color, 70 x 54 mm - 2.7 x 2.1 in
Keyboard	49 keys, membrane protection
Power	100 Watt
Power supply	18V / 3A
Communication ports	USB
Inputs-outputs	Jack socket
PC software	Creation, backup and transfer of logo files



APPLICATIONS

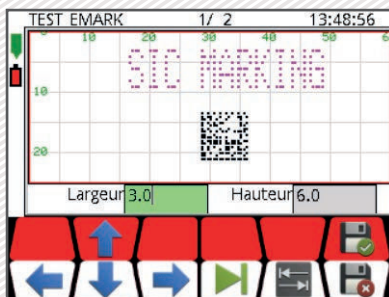
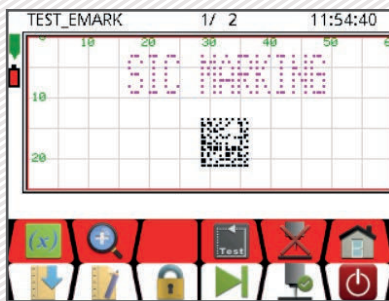


E1 RANGE SOFTWARE

Software features

Memory	>100 Mo
Variable	Alphanumeric, incrementation, timestamp, barcode
Logos	Download from a PC or USB key
Fonts	Arial, Comic, Comic_B, Courier, OCR, OCR_BOLD, OCRA, 4x6
Style	Angular, radiant, linear, radial, datamatrix, logo
Character Size	From 1 mm to 40 mm (limited following marking window)
Impact Force	9 adjustable levels
Depth	Up to 0,3 mm (according to the material)
Resolution Between Dots	0,05 mm MAX
Password	2 security levels

Icon programming Graphic View



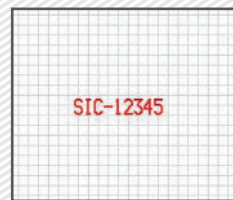
- + Ergonomics and quick programming
- + History function with anti-duplicate
- + Automatic or semi-automatic mode using barcode reading



 Angular marking



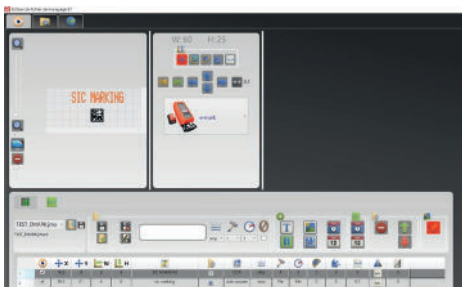
 Radiant marking



 Text or increment

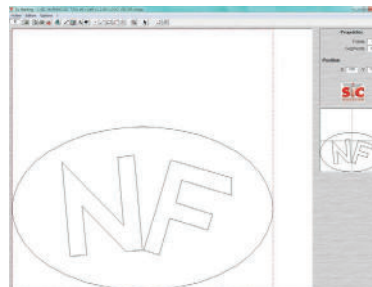
PC UTILITIES

File editor



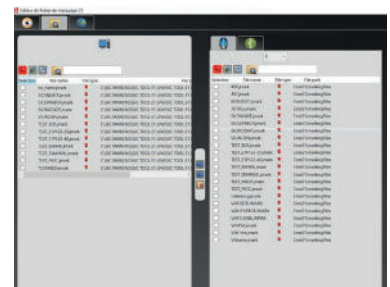
- + Creation or modification of files on PC.

Creation of logos



- + Creation of vector and matrix logos.

File manager



- + Backup and transfer of files (by USB key or by USB link).